

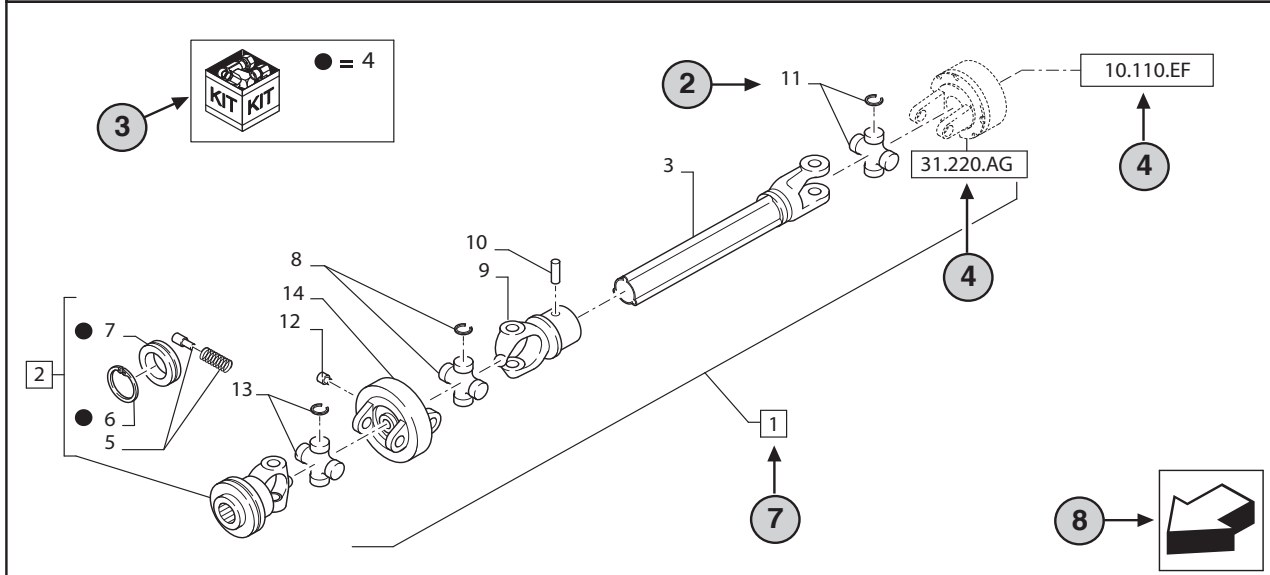
All rights reserved by **CNHi**.

The information contained in this catalogue is intended to be of a general nature only. **CNHi** may at any time and from time to time, for technical or other necessary reasons, modify any of the details or specifications of the product described in this catalogue.

To be sure of getting accurate, detailed and up-to-date information, an intending buyer should consult his nearest **CNHi** dealer or distributor.

Single item numeration method used in this catalogue may not be used without written consent from **CNHi**.

VAR - 123782, 789101,987654 - PTO - D650



STANDARD ← (6)

VAR - 123782, 789101,987654 - PTO - D650

(11) (12) (13) (14)

REF	FN	PART NUMBER	YR/SN	QTY	DESCRIPTION
1	1	86529340	(20)	1	SHAFT PTO, Incl 2 - 11
2	(15)	84014007		1	YOKE, Incl 4 - 7 ← (7)
3	(16)	NSS		1	NOT SERVICED SEPARATELY, SHAFT, 350mm, Incl in 1
4		84004292		1	KIT, Seal Kit, Incl 6, 7 (17)
4		{84058743}		1	KIT, Seal Kit, Incl 6, 7
(2)	(18)	(19)	(21)	(22)	
		1 = FOR ITALY ONLY ← (5)			

MODELS ← (1)


- 1 Model Number and Model Description
- 2 Reference - Figure call-out of the part number.
- 3 Parts supplied in repair kits per symbol reference.
- 4 31.220.AD Part illustrated on the **Page** or in the **Figure** indicated, or calls for **Variations** or **Details**. Indicates components shown in detail elsewhere in the catalogue under the figure number shown.
- 5 Footnote references
- 6 Figure notes
- 7 1 2 Includes item(s) (See Description within partlist).
- 8 Orientation. (Arrow indicates front of the machine). 
- 9 Figure description.
- 10 General information of the figure.
- 11 Figure title number that aligns with the SRT. Standard Repair Time.
- 12 **Sequence** code within the assembly.
- 13 Page number within the sequence code.
- 14 **Date** of printing or updating of page (month-year).
- 15 **Note** - Relating to the Part Number. There is a key to symbols and abbreviations at the bottom of the text page.
- 16 Non-serviced parts.
- 17 Further description of the part to help confirm identification.
- 18 Not available as service part.
- 19 Part Number.
- 20 To be defined.
- 21 Total **Quantity** of the Part referred to in the page.
The quantity can be replaced by the following indications:
AR = quantity as requested.
- 22 Part **Description**.
- 23 Variant Codes

TABLE OF CONTENTS

00.000.00	01	PICTORIAL INDEX - MAIN SECTIONS
00.000.00	02	PICTORIAL INDEX - MAIN SECTIONS
00.000.00	03	PICTORIAL INDEX - MAIN SECTIONS
00.000.00	04	PICTORIAL INDEX - MAIN SECTIONS
00.000.05		PICTORIAL INDEX - SERVICE & MAINTENANCE
00.000.10	01	PICTORIAL INDEX - ENGINE
00.000.10	02	PICTORIAL INDEX - ENGINE
00.000.18		PICTORIAL INDEX - CLUTCH
00.000.21	02	PICTORIAL INDEX - TRANSMISSION, POWERSHUTTLE
00.000.21	03	PICTORIAL INDEX - TRANSMISSION, MECHANICAL, POWERSHUTTLE
00.000.23		PICTORIAL INDEX - FOUR WHEEL DRIVE SYSTEM
00.000.25	01	PICTORIAL INDEX - FRONT AXLE SYSTEM - 2WD
00.000.25	02	PICTORIAL INDEX - FRONT AXLE SYSTEM - 4WD
00.000.27	01	PICTORIAL INDEX - REAR AXLE SYSTEM
00.000.27	02	PICTORIAL INDEX - REAR AXLE SYSTEM
00.000.31	01	PICTORIAL INDEX - IMPLEMENT POWER TAKE-OFF
00.000.31	02	PICTORIAL INDEX - IMPLEMENT POWER TAKE-OFF
00.000.33		PICTORIAL INDEX - BRAKES & CONTROLS
00.000.35	01	PICTORIAL INDEX - HYDRAULIC SYSTEMS
00.000.35	02	PICTORIAL INDEX - HYDRAULIC SYSTEMS
00.000.35	03	PICTORIAL INDEX - HYDRAULIC SYSTEMS
00.000.37		PICTORIAL INDEX - HITCHES, DRAWBARS AND IMPLEMENT COUPLINGS
00.000.39	01	PICTORIAL INDEX - FRAMES AND BALLASTING, CAB
00.000.39	02	PICTORIAL INDEX - FRAMES AND BALLASTING, W/O CAB
00.000.41		PICTORIAL INDEX - STEERING
00.000.44	01	PICTORIAL INDEX - WHEELS, FRONT
00.000.44	02	PICTORIAL INDEX - WHEELS, REAR
00.000.50		PICTORIAL INDEX - CAB CLIMATE CONTROL
00.000.55	01	PICTORIAL INDEX - ELECTRICAL SYSTEMS, CAB
00.000.55	02	PICTORIAL INDEX - ELECTRICAL SYSTEMS, W/O CAB
00.000.55	03	PICTORIAL INDEX - ELECTRICAL SYSTEMS, CAB
00.000.55	04	PICTORIAL INDEX - ELECTRICAL SYSTEMS, W/O CAB
00.000.55	05	PICTORIAL INDEX - ELECTRICAL SYSTEMS, CAB
00.000.55	06	PICTORIAL INDEX - ELECTRICAL SYSTEMS, W/O CAB

TABLE OF CONTENTS

00.000.55	07	PICTORIAL INDEX - ELECTRICAL SYSTEMS, LOADER ARM
00.000.82		PICTORIAL INDEX - FRONT LOADER AND BUCKET
00.000.88	01	PICTORIAL INDEX - ACCESSORIES, CAB
00.000.88	02	PICTORIAL INDEX - ACCESSORIES, W/O CAB
00.000.90	01	PICTORIAL INDEX - PLATFORM, CAB, BODYWORK AND DECALS, CAB
00.000.90	02	PICTORIAL INDEX - PLATFORM, CAB, BODYWORK AND DECALS, W/O CAB
00.000.90	03	PICTORIAL INDEX - PLATFORM, CAB, BODYWORK AND DECALS, CAB
00.000.90	04	PICTORIAL INDEX - PLATFORM, CAB, BODYWORK AND DECALS, W/O CAB
00.000.90	05	PICTORIAL INDEX - PLATFORM, CAB, BODYWORK AND DECALS, CAB
00.000.90	06	PICTORIAL INDEX - PLATFORM, CAB, BODYWORK AND DECALS
00.000.90	07	PICTORIAL INDEX - PLATFORM, CAB, BODYWORK AND DECALS, CAB
00.000.90	08	PICTORIAL INDEX - PLATFORM, CAB, BODYWORK AND DECALS, W/O CAB
00.100.01	03	IDENTIFICATION PLATES AND VERSION LIST
00.100.04	05	OPTIONAL EQUIPMENT
00.100.04	06	OPTIONAL EQUIPMENT
00.100.04	07	OPTIONAL EQUIPMENT
00.100.04	08	OPTIONAL EQUIPMENT
05.000.00		SECTION INDEX - SERVICE & MAINTENANCE
05.100.01		INITIAL STOCKING LIST (LIST A)
05.100.02		INITIAL STOCKING LIST (LIST B)
05.100.032		CAPACITIES
05.100.041	01	MAINTENANCE PARTS - FILTERS, CAB
05.100.041	02	MAINTENANCE PARTS - FILTERS, W/O CAB
05.100.042		MAINTENANCE PARTS - STARTER MOTOR, ALTERNATOR, BELTS
05.100.043		MAINTENANCE PARTS - FUSES
05.100.044	01	MAINTENANCE PARTS - BULBS
05.100.044	02	MAINTENANCE PARTS - BULBS
05.100.045		MAINTENANCE PARTS - PUMPS
10.000.00	01	SECTION INDEX - ENGINE
10.000.00	02	SECTION INDEX - ENGINE
10.001.010		VAR - 336839, 336841 - ENGINE, ASSY
10.103.010		VAR - 330276, 334176, 336852 - FLYWHEEL
10.202.010		VAR - 336839, 336841 - AIR CLEANER ASSY, CARTRIDGE
10.202.040		VAR - 336839, 336841 - AIR CLEANER, LINE

TABLE OF CONTENTS

10.202.060		VAR - 334190, 392315 - AIR CLEANER, BRACKET, W/O AIR CONDITIONING, W/O CAB
10.206.010		VAR - 336839, 336841 - FUEL FILTER, COMPONENTS
10.216.010		VAR - 336839, 336841 - FUEL TANK, COVER, INSTALLATION
10.216.020		VAR - 336839, 336841 - FUEL TANK, SUPPORT
10.216.030		VAR - 336839, 336841 - FUEL TANK, PROTECTION
10.216.040		VAR - 336839, 336841 - FUEL TANK, LINE
10.216.050		VAR - 336839, 336841 - FUEL TANK, COMPONENTS
10.254.010		VAR - 743545 - EXHAUST SYSTEM, VERTICAL EXHAUST, COMPONENTS
10.254.020		VAR - 743545 - EXHAUST SYSTEM W/ MUFFLER
10.254.030		VAR - 743593 - EXHAUST SYSTEM W/ MUFFLER, SHIELD, W/O FRONT LOADER
10.254.040		VAR - 336732, 336734, 336736, 336740, 336742, 336744, 336746, 336914 - EXHAUST SYSTEM W/ MUFFLER, SHIELD, W/ FRONT LOADER
10.310.010		VAR - 336839, 336841 - AFTERCOOLER
10.310.020		VAR - 336839, 336841 - AFTERCOOLER LINE
10.400.010		VAR - 336839, 336841 - RADIATOR
10.400.020		VAR - 336839, 336841 - EXPANSION TANK
10.400.030		VAR - 336839, 336841 - EXPANSION TANK, HOSE
10.400.040		VAR - 336839, 336841 - RADIATOR, HOSE
10.400.050		VAR - 336839, 336841 - RADIATOR, SUPPORT, CAB
10.400.090		VAR - 336839, 336841 - RADIATOR, FRAME, CONVEYOR
10.400.110		VAR - 336839, 336841 - EXPANSION TANK, SUPPORT
10.400.120		VAR - 334216, 334218 - RADIATOR, FRAME, SUPPORT, W/FABRICATED AXLE SUPPORT (FAS)
10.414.010		VAR - 336839, 336841 - FAN
10.414.020		VAR - 391192 - ENGINE, BELT, W/ALTERNATOR (120A)
10.414.030		VAR - 332192 - ENGINE, BELT, W/ALTERNATOR (150A - 200A)
10.500.010		VAR - 336839, 336841 - EXHAUST SYSTEM, LINES, SIDE ENGINE
10.500.020		VAR - 336839, 336841 - EXHAUST SYSTEM, LINE, SIDE TANK
10.500.030		VAR - 336839, 336841 - EXHAUST SYSTEM, INSTALLATION, MOUNTING
10.500.040		VAR - 336839, 336841 - EXHAUST SYSTEM, COMPONENTS
18.000.00		SECTION INDEX - CLUTCH
18.100.020		VAR - 336852 - TRANSMISSION, POWERSHUTTLE, CLUTCH, PEDAL, HI-LO
18.112.010		VAR - 330276, 334176, 336852 - TRANSMISSION, POWERSHUTTLE, ENGINE FLYWHEEL, DAMPER
21.000.00	02	SECTION INDEX - TRANSMISSION, POWERSHUTTLE
21.000.00	03	SECTION INDEX - TRANSMISSION, MECHANICAL, POWERSHUTTLE

TABLE OF CONTENTS

21.104.030	VAR - 330276, 334176, 336852 - TRANSMISSION, POWERSHUTTLE, HYDRAULIC OIL FILTER
21.109.010	VAR - 330276, 334176, 336852 - TRANSMISSION OIL, COOLER
21.109.020	VAR - 330276, 334176, 336852 - TRANSMISSION OIL, COOLER, LINE
21.109.040	VAR - 336852 - TRANSMISSION OIL, COOLER, LINE, HI-LO
21.118.020	VAR - 337323, 744580, 744581 - TRANSMISSION, POWERSHUTTLE, HI-LO, DRIVE, HOUSING, 4WD
21.118.040	VAR - 390831, 390832, 743595, 758931, 758932, 759058 - TRANSMISSION, DRIVE, HOUSING, BRACKET, W/O TRAILER BRAKE VALVE
21.120.020	VAR - 336852 - TRANSMISSION, POWERSHUTTLE, GEARBOX, HOUSING, HI-LO
21.168.010	VAR - 759059 - CLUTCH INPUT SHAFT, HI-LO (43KPH)
21.168.020	VAR - 336852 - TRANSMISSION LUBRICATION LINE, INTERNAL, HI-LO
21.168.050	VAR - 336852 - TRANSMISSION, POWERSHUTTLE, GEARS & SHAFT, HI-LO
21.168.060	VAR - 336852 - TRANSMISSION, POWERSHUTTLE, CLUTCH HOUSING, CLUTCH DISC, INPUT SHAFT, HI-LO
21.168.070	VAR - 336852 - TRANSMISSION, POWERSHUTTLE, CLUTCH HOUSING, CLUTCH DISC, INPUT SHAFT, HI-LO
21.168.080	VAR - 336852 - TRANSMISSION, POWERSHUTTLE, CLUTCH HOUSING, CLUTCH DISC, OUTPUT SHAFT, HI-LO
21.168.090	VAR - 336852 - TRANSMISSION, POWERSHUTTLE, CLUTCH HOUSING, CLUTCH DISC, OUTPUT SHAFT, HI-LO
21.168.100	VAR - 336852 - TRANSMISSION, CENTRAL REDUCTION GEAR, FORK, SHIFT RAIL, HI-LO
21.168.110	VAR - 336852 - TRANSMISSION, CLUTCH DISK, LUBRICATION SYSTEM, HI-LO
21.168.120	VAR - 336852 - TRANSMISSION, POWERSHUTTLE, CONTROL VALVE, MOUNTING, HI-LO
21.168.130	VAR - 336852 - TRANSMISSION, POWERSHUTTLE, CONTROL VALVE, COMPONENTS, HI-LO
21.168.140	VAR - 336852 - TRANSMISSION, POWERSHUTTLE, CONTROL VALVE, COMPONENTS, HI-LO
21.168.150	VAR - 336852 - TRANSMISSION, POWERSHUTTLE, CONTROL VALVE, LINES, HI-LO
21.168.160	VAR - 336852 - TRANSMISSION, POWERSHUTTLE, CENTRAL REDUCTION GEAR, HI-LO
21.168.170	VAR - 336852 - TRANSMISSION, POWERSHUTTLE, SUPPORT, HI-LO
21.168.180	VAR - 336852 - TRANSMISSION, POWERSHUTTLE, CONTROL VALVE, GEARSHIFT, BRACKET, HI-LO
21.168.220	VAR - 759176 - TRANSMISSION, POWERSHUTTLE, GEARSHIFT, CONTROL LEVER, BOOT, W/O PARKING LOCK, W/O MID MOUNT VALVES, HI-LO, 4WD
21.168.230	VAR - 759176 - TRANSMISSION, POWERSHUTTLE, GEARSHIFT, CONTROL LEVER, BOOT, W/O PARKING LOCK, W/ MID MOUNT VALVES, HI-LO, 4WD
21.168.240	VAR - 743551 - TRANSMISSION, POWERSHUTTLE, GEARSHIFT, CONTROL LEVER, BOOT, W/ PARKING LOCK, W/O MID MOUNT VALVES, HI-LO
21.168.250	VAR - 743551 - TRANSMISSION, POWERSHUTTLE, GEARSHIFT, CONTROL LEVER, BOOT, W/ PARKING LOCK, W/ MID MOUNT VALVES, HI-LO
21.168.260	VAR - 759176 - TRANSMISSION, POWERSHUTTLE, GEARSHIFT, CONTROL LEVER, SELECTOR, W/O PARKING LOCK, HI-LO, 4WD
21.168.270	VAR - 759176 - TRANSMISSION, POWERSHUTTLE, GEARSHIFT, CONTROL LEVER, SELECTOR, W/O PARKING LOCK, COMPONENTS, HI-LO, 4WD
21.168.280	VAR - 759176 - TRANSMISSION, POWERSHUTTLE, GEARSHIFT, CONTROL LEVER, SELECTOR, W/O PARKING LOCK, HI-LO, 4WD
21.168.290	VAR - 759176 - TRANSMISSION, POWERSHUTTLE, GEARSHIFT, CONTROL LEVER, SELECTOR, W/O PARKING LOCK, COMPONENTS, HI-LO, 4WD

TABLE OF CONTENTS

21.168.300		VAR - 743551 - TRANSMISSION, POWERSHUTTLE, GEARSHIFT, CONTROL LEVER, SELECTOR, HI-LO, 4WD
21.168.310		VAR - 743551 - TRANSMISSION, POWERSHUTTLE, GEARSHIFT, CONTROL LEVER, SELECTOR, COMPONENTS, HI-LO, 4WD
21.168.320		VAR - 743551 - TRANSMISSION, POWERSHUTTLE, GEARSHIFT, CONTROL LEVER, SELECTOR, HI-LO, 4WD
23.000.00		SECTION INDEX - FOUR WHEEL DRIVE SYSTEM
23.202.010		VAR - 759176 - FRONT, WHEEL, DRIVE, GEAR, HOUSING, 4WD
23.202.020		VAR - 759176 - FRONT, WHEEL, DRIVE, GEAR, 4WD
23.202.030		VAR - 743551 - FRONT, WHEEL, DRIVE, GEAR, HOUSING, W/ PARKING LOCK, 4WD
23.202.040		VAR - 743551 - FRONT, WHEEL, DRIVE, GEAR, W/ PARKING LOCK, 4WD
23.314.010		VAR - 337323, 744580, 744581 - 4WD DRIVE SHAFT, FRONT AXLE, 4WD
23.314.020		VAR - 337323, 744580, 744581 - 4WD DRIVE SHAFT, FRONT AXLE, GUARD, 4WD
25.000.00	01	PICTORIAL INDEX - FRONT AXLE SYSTEM - 2WD
25.000.00	02	PICTORIAL INDEX - FRONT AXLE SYSTEM - 4WD
25.100.040		VAR - 334218 - FRONT AXLE SUPPORT, W/ FABRICATED AXLE SUPPORT (FAS), 4WD
25.100.050		VAR - 334218 - FRONT AXLE SUPPORT, ARTICULATION, W/ FABRICATED AXLE SUPPORT (FAS), 4WD
25.100.100		VAR - 334216, 334218 - FRONT AXLE, ENGINE, MOUNTING, W/ FRONT LOADER
25.100.110		VAR - 336852 - FRONT AXLE SUPPORT, HI-LO
25.100.170		VAR - 337323 - FRONT AXLE, ELECTROHYDRAULIC ENGAGEMENT, 4WD (40KM/H), HI-LO
25.100.180		VAR - 337323 - FRONT AXLE, COMPONENTS, HOUSING, 4WD (40KM/H), HI-LO
25.100.190		VAR - 337323 - FRONT AXLE, ELECTROHYDRAULIC ENGAGEMENT, W/ 34" 38" TIRES, 4WD (40KM/H), HI-LO
25.100.200		VAR - 337323 - FRONT AXLE, COMPONENTS, HOUSING, W/ 34" 38" TIRES, 4WD (40KM/H), HI-LO
25.100.290		VAR - 334216 - FRONT AXLE SUPPORT, W/ FABRICATED AXLE SUPPORT (FAS), 4WD
25.100.300		VAR - 334216 - FRONT AXLE SUPPORT, ARTICULATION, W/ FABRICATED AXLE SUPPORT (FAS), 4WD
25.102.010		VAR - 333411, 390411 - ELECTROHYDRAULIC DIFFERENTIAL LOCK, LINE, FRONT, HI-LO
25.102.030		VAR - 333411, 390411 - ELECTROHYDRAULIC DIFFERENTIAL LOCK, LINE, FRONT, HI-LO, 4WD
25.102.220		VAR - 337323 - FRONT AXLE, COMPONENTS, DIFFERENTIAL, CARRIER, 4WD (40KM/H)
25.102.230		VAR - 337323 - FRONT AXLE, COMPONENTS, BEVEL GEAR, 4WD (40KM/H)
25.102.240		VAR - 337323 - FRONT AXLE, COMPONENTS, DIFFERENTIAL, 4WD (40KM/H)
25.102.250		VAR - 337323 - FRONT AXLE, DIFFERENTIAL LOCK, CONTROL, LINE, 4WD (40KM/H)
25.102.260		VAR - 337323 - FRONT AXLE, DIFFERENTIAL LOCK, CONTROL, 4WD (40KM/H)
25.102.270		VAR - 337323 - FRONT AXLE, COMPONENTS, DIFFERENTIAL, CARRIER, W/ 34" 38" TIRES, 4WD (40KM/H)
25.102.280		VAR - 337323 - FRONT AXLE, COMPONENTS, BEVEL GEAR, W/ 34" 38" TIRES, 4WD (40KM/H)
25.102.290		VAR - 337323 - FRONT AXLE, COMPONENTS, DIFFERENTIAL, W/ 34" 38" TIRES, 4WD (40KM/H)

TABLE OF CONTENTS

25.102.300		VAR - 337323 - FRONT AXLE, DIFFERENTIAL LOCK, CONTROL, LINE, W/ 34" 38" TIRES, 4WD (40KM/H)
25.102.310		VAR - 337323 - FRONT AXLE, DIFFERENTIAL LOCK, CONTROL, W/ 34" 38" TIRES, 4WD (40KM/H)
25.108.140		VAR - 337323 - FRONT AXLE, COMPONENTS, SHAFT, 4WD (40KM/H)
25.108.150		VAR - 337323 - FRONT AXLE, COMPONENTS, PLANETARY REDUCER, 4WD (40KM/H)
25.108.160		VAR - 337323 - FRONT AXLE, COMPONENTS, STEERING KNUCKLE, 4WD (40KM/H)
25.108.170		VAR - 337323 - FRONT AXLE, COMPONENTS, SHAFT, W/ 34" 38" TIRES, 4WD (40KM/H)
25.108.180		VAR - 337323 - FRONT AXLE, COMPONENTS, PLANETARY REDUCER, W/ 34" 38" TIRES, 4WD (40KM/H)
25.108.190		VAR - 337323 - FRONT AXLE, COMPONENTS, STEERING KNUCKLE, W/ 34" 38" TIRES, 4WD (40KM/H)
25.108.330		VAR - 337323 - FRONT AXLE, HALF SHAFT, COMPONENTS (40KM/H)
27.000.00	01	SECTION INDEX - REAR AXLE SYSTEM
27.000.00	02	SECTION INDEX - REAR AXLE SYSTEM
27.100.020		VAR - 743565, 743594 - REAR AXLE, OIL, LEVEL, INDICATOR
27.106.020		VAR - 759059 - REAR AXLE, BEVEL GEAR, BEVEL PINION, W/ 28" 30" 36" TIRES (43KPH)
27.106.030		VAR - 759059 - REAR AXLE, BEVEL GEAR, BEVEL PINION, W/ HEAVY DUTY AXLE, W/ 34" 38" TIRES (43KPH)
27.106.070		VAR - 333411, 390411 - ELECTROHYDRAULIC DIFFERENTIAL LOCK, FORK, HI-LO
27.106.080		VAR - 333411, 390411 - ELECTROHYDRAULIC DIFFERENTIAL LOCK, LINE, REAR, HI-LO
27.106.100		VAR - 333411, 390411 - ELECTROHYDRAULIC DIFFERENTIAL LOCK, ACTUATOR, HI-LO
27.106.110		VAR - 333411 - REAR AXLE, DIFFERENTIAL
27.106.120		VAR - 390411 - REAR AXLE, DIFFERENTIAL, TRANSMISSION, MECHANICAL
27.106.130		VAR - 333411, 390411 - REAR AXLE, DIFFERENTIAL, HOUSING, SUPPORT
27.120.010		VAR - 390411 - REAR AXLE, FINAL DRIVE
27.120.020		VAR - 390411 - REAR AXLE, FINAL DRIVE, PLANETARY GEAR
27.120.030		VAR - 390411 - REAR AXLE, FINAL DRIVE
27.120.040		VAR - 390411 - REAR AXLE, FINAL DRIVE, PLANETARY GEAR
31.000.00	01	SECTION INDEX - IMPLEMENT POWER TAKE OFF
31.000.00	02	SECTION INDEX - IMPLEMENT POWER TAKE OFF
31.101.070		VAR - 337323, 743565, 743594, 744580, 744581 - PTO, CONTROL LEVER, COUPLING, GROUND SPEED, MECHANICAL
31.101.090		VAR - 743565, 743594 - PTO 540/540E/1000 RPM, REAR, CONTROL LEVER, PLUGS, W/ GROUND SPEED, CAB
31.104.020		VAR - 336852 - TRANSMISSION, REAR PTO, LINE, HI-LO
31.104.220		VAR - 337323 - PTO, CONTROL VALVE, HI-LO
31.110.040		VAR - 743565, 743594 - REAR PTO, CLUTCH
31.110.050		VAR - 743565, 743594 - REAR PTO, PROTECTION, COVER
31.110.110		VAR - 743594 - REAR PTO, SHAFT, HI-LO

TABLE OF CONTENTS

31.114.020	VAR - 743594 - PTO 540/1000 RPM, REAR, GEARS & SHAFT, POWERSHUTTLE, HI-LO
31.114.040	VAR - 743594 - PTO 540/1000 RPM, REAR, YOKE, POWERSHUTTLE, HI-LO
31.114.080	VAR - 743594 - PTO 540/1000 RPM, REAR, HOUSING, HI-LO
31.114.090	VAR - 743594 - PTO 1000/1000E RPM, OUTPUT SHAFT
31.114.100	VAR - 743594 - PTO 540/1000 RPM, REAR, COVERS, HI-LO
31.142.010	VAR - 337323, 744580, 744581 - CONTROL VALVE, FRONT PTO, LINE, 4WD
33.000.00	SECTION INDEX - BRAKES & CONTROLS
33.110.010	VAR - 759176 - PARKING BRAKE, BRAKE DISC
33.110.020	VAR - 759176 - PARKING BRAKE, BRAKE DISC, W/ PARKING LOCK, 4WD
33.110.030	VAR - 743551 - PARKING BRAKE, CONTROL LEVER, W/ PARKING LOCK
33.110.040	VAR - 743551 - PARKING BRAKE, CONTROL LEVER, W/ PARKING LOCK, COMPONENTS
33.110.050	VAR - 759176 - HAND BRAKE, CONTROL, CAB
33.110.060	VAR - 759176 - HAND BRAKE, LEVER, COMPONENTS, CAB
33.110.070	VAR - 759176 - HAND BRAKE, CONTROL, W/ PARKING LOCK, W/O CAB, 4WD
33.110.080	VAR - 759176 - HAND BRAKE, LEVER, W/ PARKING LOCK, COMPONENTS, W/O CAB, 4WD
33.110.090	VAR - 743551 - PARKING BRAKE, COVER W/O PARKING LOCK
33.202.010	VAR - 330276, 334176, 336852, 743546 - BRAKE LINE
33.202.020	VAR - 333411, 390411 - REAR AXLE, BRAKE DISC
33.202.030	VAR - 334183, 334190, 392315, 743573, 744588 - BRAKE, PEDAL
33.202.040	VAR - 334183, 743573, 744588 - BRAKE LINE, HI-LO, CAB
33.202.050	VAR - 334183, 334190, 392315, 743573, 744588 - BRAKE LINE
33.202.080	VAR - 390831, 390832, 743595, 758931, 758932, 759058 - BRAKE FLUID RESERVOIR, W/ TRAILER BRAKE VALVE
33.202.090	VAR - 390831, 390832, 743595, 758931, 758932, 759058 - BRAKE, MASTER CYLINDER, W/ TRAILER BRAKE VALVE
35.000.00	01 SECTION INDEX - HYDRAULIC SYSTEMS
35.000.00	02 SECTION INDEX - HYDRAULIC SYSTEMS
35.000.00	03 SECTION INDEX - HYDRAULIC SYSTEMS
35.100.010	VAR - 390831, 390832, 743595, 758931, 758932, 759058 - HYDRAULIC LIFT, OIL FILTER, PIPE
35.104.010	VAR - 336858, 337323, 744580, 744581 - HYDRAULIC PUMP, LINE
35.104.050	VAR - 330276, 334176, 336852, 743546 - HYDRAULIC PUMP, COMPONENTS (25CC)
35.104.060	VAR - 330276, 334176, 336852, 743546 - HYDRAULIC PUMP, COMPONENTS (14CC)
35.114.010	VAR - 743595 - HYDRAULIC LIFT, CONTROL VALVE, COMPONENTS
35.114.020	VAR - 758931 - HYDRAULIC LIFT, CONTROL VALVE, COMPONENTS
35.114.030	VAR - 758932 - HYDRAULIC LIFT, CONTROL VALVE, COMPONENTS, HI-LO, CAB

TABLE OF CONTENTS

35.114.040	VAR - 390832 - HYDRAULIC LIFT, CONTROL VALVE, COMPONENTS, HI-LO, CAB
35.114.050	VAR - 390831 - HYDRAULIC LIFT, CONTROL VALVE, COMPONENTS
35.114.060	VAR - 759058 - HYDRAULIC LIFT, CONTROL VALVE, COMPONENTS
35.116.010	VAR - 758931, 758932, 759058 - 3 POINT HITCH, W/ 2 AUXILIARY LIFT RAMS
35.204.010	VAR - 336858, 337323, 744580, 744581 - HYDRAULIC OIL FILTER, VALVE, PRESSURE
35.204.055	REMOTE CONTROL VALVE (2 REMOTES, 4 COUPLERS DELUXE), MOUNTING, COUPLING
35.204.065	REMOTE CONTROL VALVE (2 REMOTES, 4 COUPLERS DELUXE), MOUNTING, COUPLING, HI-LO, CAB
35.204.070	REMOTE CONTROL VALVE (2 REMOTES, 4 COUPLERS DELUXE)
35.204.080	REMOTE CONTROL VALVE (2 REMOTES, 4 COUPLERS DELUXE), COMPONENTS
35.204.090	REMOTE CONTROL VALVE (2 REMOTES, 4 COUPLERS DELUXE), HI-LO, CAB
35.204.100	REMOTE CONTROL VALVE (2 REMOTES, 4 COUPLERS DELUXE), COMPONENTS, HI-LO, CAB
35.204.110	REMOTE CONTROL VALVE (2 REMOTES, 4 COUPLERS DELUXE), COMPONENTS, HI-LO, CAB
35.204.230	REMOTE CONTROL VALVE, DISTRIBUTOR, COMPONENTS
35.204.240	REMOTE CONTROL VALVE, DISTRIBUTOR, COMPONENTS
35.204.250	REMOTE CONTROL VALVE, DISTRIBUTOR, COMPONENTS
35.204.260	REMOTE CONTROL VALVE, EDC, COMPONENTS, HI-LO, CAB
35.204.280	REMOTE CONTROL VALVE (2 REMOTES, 4 COUPLERS), LINE, HI-LO, CAB
35.204.300	REMOTE CONTROL VALVE (2 REMOTES, 4 COUPLERS), MDC, LINE
35.204.400	VAR - 336780, 338125 - MID MOUNT VALVE
35.204.410	VAR - 336780, 338125 - MID MOUNT VALVE, BRACKET, PIPE
35.204.440	VAR - 336780, 338125 - MID MOUNT VALVE, COMPONENTS
35.204.460	VAR - 336780, 338125 - MID MOUNT VALVE, POWERSHUTTLE, HI-LO, LINES
35.204.470	VAR - 336780, 338125 - MID MOUNT VALVE, LINES
35.204.480	VAR - 336780, 338125 - MID MOUNT VALVE, LINE
35.300.010	VAR - 336858, 337323, 744580, 744581 - HYDRAULIC OIL FILTER
35.300.020	VAR - 336858, 337323, 744580, 744581 - HYDRAULIC OIL FILTER, LINE
35.304.030	VAR - 330276, 334176, 336852, 743546 - HYDRAULIC PUMP (25CC/14CC)
35.304.040	VAR - 330276, 334176, 336852, 743546 - HYDRAULIC PUMP, COMPONENTS (25CC/14CC)
35.701.050	VAR - 336732, 336734, 336736, 336914 - BOOM CYLINDER, COMPONENTS
35.701.060	VAR - 336732, 336734, 336736, 336740, 336742, 336744, 336746, 336914 - FRONT LOADER, MID-MOUNT CONTROL VALVE, HYDRAULIC LINE
35.701.080	VAR - 336740, 336742, 336744, 336746 - BOOM CYLINDER, COMPONENTS
35.723.020	VAR - 336734, 336736 - BUCKET CYLINDER, W/ SELF-LEVELING, COMPONENTS
35.723.040	VAR - 336734, 336736 - LOADER BUCKET, VALVE, W/ DIVERTER, W/ SELF-LEVELING, COMPONENTS

TABLE OF CONTENTS

35.723.060	VAR - 336732, 336914 - BUCKET CYLINDER, COMPONENTS, W/O SELF-LEVELING
35.723.120	VAR - 336740, 336742 - BUCKET CYLINDER, W/O SELF-LEVELING, COMPONENTS
35.723.140	VAR - 336744, 336746 - BUCKET CYLINDER, W/ SELF-LEVELING, COMPONENTS
35.723.160	VAR - 336740, 336742 - BUCKET CYLINDER, W/ SELF-LEVELING, COMPONENTS
37.000.00	SECTION INDEX - HITCHES, DRAWBARS AND IMPLEMENT COUPLINGS
37.100.190	VAR - 743594 - DRAWBAR, HI-LO
37.108.010	VAR - 332035 - HYDRAULIC LIFT, CONTROL LEVER, CAB
37.108.020	VAR - 332035 - HYDRAULIC LIFT, CONTROL LEVER, W/O CAB
37.108.030	VAR - 390831, 743595, 758931, 759058 - REAR, HYDRAULIC LIFT, CONTROL LEVER
37.108.040	VAR - 390831, 743595, 758931, 759058 - REAR, HYDRAULIC LIFT, LINK & ROD
37.108.050	VAR - 743595, 758931 - LIFT-O-MATIC, CONTROL LEVER, CAB
37.108.060	VAR - 743595, 758931 - LIFT-O-MATIC, CONTROL LEVER, COMPONENTS
37.108.070	VAR - 743595, 758931 - LIFT-O-MATIC, CONTROL LEVER, W/O CAB
37.110.010	VAR - 743595 - REAR, HYDRAULIC LIFT, HOUSING
37.110.020	VAR - 390831, 390832, 743595, 758931, 758932, 759058 - REAR, HYDRAULIC LIFT, HOUSING, SCREW
37.110.030	VAR - 758931 - REAR, HYDRAULIC LIFT, HOUSING
37.110.040	VAR - 758932 - REAR, HYDRAULIC LIFT, HOUSING, HI-LO, CAB
37.110.050	VAR - 743595 - REAR, HYDRAULIC LIFT, ARM
37.110.070	VAR - 758931 - REAR, HYDRAULIC LIFT, ARM, W/ 1 AUXILIARY LIFT RAM
37.110.090	VAR - 743595 - HYDRAULIC LIFT, CYLINDER, PISTON
37.110.100	VAR - 758932 - HYDRAULIC LIFT, CYLINDER, PISTON, HI-LO, CAB
37.110.110	VAR - 743595 - HYDRAULIC LIFT, HOUSING, LEVER, TIE-ROD
37.110.120	VAR - 743595 - HYDRAULIC LIFT, HOUSING, LEVER, TIE-ROD, ARM
37.110.130	VAR - 743595 - REAR, HYDRAULIC LIFT, SUPPORT
37.110.140	VAR - 758932 - REAR, HYDRAULIC LIFT, SUPPORT, HI-LO, CAB
37.110.150	VAR - 743595 - HYDRAULIC LIFT, HOUSING, LEVER
37.110.160	VAR - 743595 - HYDRAULIC LIFT, CONTROL LEVER, REAR
37.110.170	VAR - 758932 - REAR, HYDRAULIC LIFT, ARM, HI-LO, CAB, W/ 1 AUXILIARY LIFT RAM
37.110.190	VAR - 390831, 390832, 743595, 758931, 758932, 759058 - HYDRAULIC LIFT, OIL PAN, HI-LO
37.110.200	VAR - 390831, 743595, 758931, 759058 - HITCH, LOWER LINK, MOUNTING PARTS
37.110.220	VAR - 390831, 390832, 743595, 758931, 758932, 759058 - REAR, HYDRAULIC LIFT, BRACKET, W/ TRAILER BRAKE VALVE
37.110.240	VAR - 390832 - REAR, HYDRAULIC LIFT, HI-LO, CAB
37.110.250	VAR - 390832 - REAR, HYDRAULIC LIFT, ARM, HI-LO, CAB

TABLE OF CONTENTS

37.110.260		VAR - 390832 - REAR, HYDRAULIC LIFT, CYLINDER, PISTON, HI-LO, CAB
37.110.270		VAR - 390832 - REAR, HYDRAULIC LIFT, SUPPORT, HI-LO, CAB
37.110.280		VAR - 390831 - REAR, HYDRAULIC LIFT, HOUSING
37.110.290		VAR - 390831 - REAR, HYDRAULIC LIFT, ARM
37.110.300		VAR - 390831 - REAR, HYDRAULIC LIFT, CYLINDER, PISTON
37.110.310		VAR - 390831 - REAR, HYDRAULIC LIFT, HOUSING, LEVER, TIE-ROD
37.110.320		VAR - 390831 - REAR, HYDRAULIC LIFT, HOUSING, LEVER, TIE-ROD, ARM
37.110.330		VAR - 390831 - REAR, HYDRAULIC LIFT, SUPPORT
37.110.340		VAR - 390831 - REAR, HYDRAULIC LIFT, CONTROL LEVER
37.110.350		VAR - 759058 - REAR, HYDRAULIC LIFT, HOUSING, W/ 2 AUXILIARY LIFT RAMS
37.110.360		VAR - 759058 - REAR, HYDRAULIC LIFT, ARM, W/ 2 AUXILIARY LIFT RAMS
37.110.370		VAR - 759058 - REAR, HYDRAULIC LIFT, CYLINDER, PISTON, W/ 2 AUXILIARY LIFT RAMS
37.110.380		VAR - 759058 - REAR, HYDRAULIC LIFT, HOUSING, LEVER, TIE-ROD
37.110.390		VAR - 759058 - REAR, HYDRAULIC LIFT, HOUSING, LEVER, TIE-ROD, ARM
37.110.400		VAR - 759058 - REAR, HYDRAULIC LIFT, SUPPORT, W/ 2 AUXILIARY LIFT RAMS
37.110.410		VAR - 759058 - REAR, HYDRAULIC LIFT, CONTROL LEVER, W/ 2 AUXILIARY LIFT RAMS
37.120.020		VAR - 390831, 390832, 743595, 758931, 758932, 759058 - REAR, 3 POINT HITCH, LIFT ARM
37.120.030		VAR - 390831, 390832, 743595, 758931, 758932, 759058 - REAR, 3 POINT HITCH, TOP LINK, COMPONENTS
37.120.040		VAR - 390831, 390832, 743595, 758931, 758932, 759058 - REAR, 3 POINT HITCH, STABILIZER
37.120.050		VAR - 390831, 390832, 743595, 758931, 758932, 759058 - REAR, 3 POINT HITCH, STABILIZER, COMPONENTS
37.120.060		VAR - 390831, 390832, 743595, 758931, 758932, 759058 - REAR, 3 POINT HITCH, VERTICAL, ROD
37.120.070		VAR - 390831, 390832, 743595, 758931, 758932, 759058 - REAR, 3 POINT HITCH, LOWER LINK, RIGHT, COMPONENTS
37.120.080		VAR - 390831, 390832, 743595, 758931, 758932, 759058 - REAR, 3 POINT HITCH, LOWER LINK, LEFT, COMPONENTS
39.000.00	01	SECTION INDEX - FRAMES AND BALLASTING, CAB
39.000.00	02	SECTION INDEX - FRAMES AND BALLASTING, W/O CAB
39.140.020		VAR - 331215 - FRONT, BALLAST, TOW HOOK (60 KG), W/ FABRICATED AXLE SUPPORT (FAS)
39.140.040		VAR - 333215 - FRONT, BALLAST (240KG), W/ FABRICATED AXLE SUPPORT (FAS)
39.140.060		VAR - 335215 - FRONT, BALLAST (320KG), W/ FABRICATED AXLE SUPPORT (FAS)
39.140.130		BALL SOCKET, REAR (200 KG), HI-LO
41.000.00		SECTION INDEX - STEERING
41.101.010		VAR - 334183, 334190, 392315, 743573, 744588 - STEERING COLUMN
41.101.020		VAR - 334183, 334190, 392315, 743573, 744588 - STEERING WHEEL
41.101.030		VAR - 334183, 743573, 744588 - STEERING COLUMN, DUAL COMMAND, CAB

TABLE OF CONTENTS

41.101.040		VAR - 334183, 743573, 744588 - STEERING WHEEL, HI-LO, CAB
41.101.050		VAR - 336852 - STEERING COLUMN, BRACKET, HI-LO
41.106.060		VAR - 337323 - FRONT AXLE, COMPONENTS, STEERING TIE-ROD, 4WD (40KM/H), HI-LO
41.106.070		VAR - 337323 - FRONT AXLE, COMPONENTS, STEERING TIE-ROD, W/ 34" 38" TIRES, 4WD (40KM/H), HI-LO
41.200.010		VAR - 337323, 744580, 744581 - MECHANICAL, POWERSHUTTLE, DUAL COMMAND, HYDRAULIC STEERING, PUMP, 4WD
41.200.020		VAR - 337323, 744580, 744581 - POWERSHUTTLE, HYDRAULIC STEERING, PUMP, LINE, 4WD
41.200.100		VAR - 337323 - FRONT AXLE, STEERING CYLINDER, LINE, 4WD (40KM/H)
41.200.110		VAR - 337323 - FRONT AXLE, STEERING CYLINDER, LINE, W/ 34" 38" TIRES , 4WD (40KM/H)
41.216.010		VAR - 336839, 336841 - HYDRAULIC STEERING, LINE, SUPPORT, W/O CAB
41.216.030		VAR - 334183, 743573, 744588 - HYDRAULIC STEERING, LINE, SUPPORT, W/ AIR CONDITIONING, W/O PNEUMATIC TRAILER BRAKE VALVE, CAB
41.216.050		VAR - 337323, 744580, 744581 - HYDRAULIC STEERING, CYLINDER, LINE, 4WD
41.216.130		VAR - 334216, 334218 - HYDRAULIC STEERING, CYLINDER, LINE, W/ FABRICATED AXLE SUPPORT (FAS), W/ MULTIFUNCTIONAL AXLE SUPPORT (MAS), 4WD
41.216.170		VAR - 337323 - FRONT AXLE, ELECTROHYDRAULIC ENGAGEMENT, COMPONENTS, STEERING CYLINDER, 4WD (40KM/H)
41.216.180		VAR - 337323 - FRONT AXLE, ELECTROHYDRAULIC ENGAGEMENT, COMPONENTS, STEERING CYLINDER
44.000.00	01	SECTION INDEX - WHEELS, FRONT
44.000.00	02	SECTION INDEX - WHEELS, REAR
44.511.010		VAR - 8232304, 8232404, 8235404, 8235601 - FRONT, WHEEL (W10X24)
44.511.020		VAR - 8236404, 8236501, 8239404, 8240604 - FRONT, WHEEL (W12X24)
44.511.030		VAR - 8247404 - FRONT, WHEEL (W10X28)
44.511.040		VAR - 8873401 - FRONT, WHEEL (W11X20)
44.511.050		VAR - 8873402 - FRONT, WHEEL (W11X20)
44.511.090		VAR - 8290904 - FRONT, WHEEL (W9X18)
44.511.100		VAR - 8284604 - FRONT, WHEEL (W11X16.1)
44.520.010		VAR - 8355304, 8355404, 8906401 - REAR, WHEEL (DWW14LX30)
44.520.020		VAR - 8357404, 8363801 - REAR, WHEEL (DWW15LX30)
44.520.030		VAR - 8302804, 8364604, 8365404, 8365501 - REAR, WHEEL (W15LX34)
44.520.040		VAR - 8372404 - REAR, WHEEL (DWW12X38)
44.520.050		VAR - 8320704 - REAR, WHEEL (W14LX24)
44.520.060		VAR - 8391904 - REAR, WHEEL (W16LX24)
50.000.00		SECTION INDEX - CAB CLIMATE CONTROL
50.100.050		VAR - 334183, 743573, 744588 - HEATER HOSE, CAB
50.100.060		VAR - 334183, 743573, 744588 - HEATER HOSE, CAB

TABLE OF CONTENTS

50.100.070		VAR - 334190, 392315 - HEATER HOSE, W/O CAB
50.200.010		VAR - 334183, 743573, 744588 - AIR CONDITIONING, SUPPORT, BELT, CAB
50.200.030		VAR - 334183, 743573, 744588 - AIR CONDITIONING, COMPRESSOR, CAB
50.200.050		VAR - 334183, 743573, 744588 - AIR CONDITIONER, CONDENSER, CAB
55.000.00	01	SECTION INDEX - ELECTRICAL SYSTEMS, CAB
55.000.00	02	SECTION INDEX - ELECTRICAL SYSTEMS, W/O CAB
55.000.00	03	SECTION INDEX - ELECTRICAL SYSTEMS, CAB
55.000.00	04	SECTION INDEX - ELECTRICAL SYSTEMS, W/O CAB
55.000.00	05	SECTION INDEX - ELECTRICAL SYSTEMS, CAB
55.000.00	06	SECTION INDEX - ELECTRICAL SYSTEMS, W/O CAB
55.000.00	07	SECTION INDEX - ELECTRICAL SYSTEMS, LOADER ARM
55.011.010		VAR - 336839, 336841 - FUEL TANK, SENDER UNIT
55.012.010		VAR - 336858, 337323, 744580, 744581 - HEATER, UNIT, CONTROLS, CAB
55.012.020		VAR - 336858, 337323, 744580, 744581 - HEATER, UNIT, CONTROLS, W/O CAB
55.014.020		VAR - 336839, 336841 - AIR CLEANER, RESTRICTION SWITCH
55.014.030		VAR - 336858, 337323, 744580, 744581 - ELECTRONIC CONTROL UNIT, SUPPORT
55.014.040		VAR - 336858, 337323, 744580, 744581 - AIR FILTER, SENSOR
55.014.050		VAR - 336858, 337323, 744580, 744581 - EXHAUST PIPE, TEMPERATURE SENDER
55.015.010		VAR - 336839, 336841 - ELECTRONIC CONTROL UNIT, COVER
55.015.020		VAR - 336839, 336841 - ENGINE, ELECTRIC CABLE
55.015.030		VAR - 336839, 336841 - ENGINE, ELECTRIC CABLE
55.020.020		VAR - 330276, 334176, 336852, 743546 - TRANSMISSION, SPEED SENSOR (12X12) (20X20 CREEPER)
55.020.030		VAR - 336852 - TRANSMISSION, POWERSHUTTLE, GEARSHIFT, SPEED SENSOR, HI-LO
55.023.010		VAR - 334183, 334190, 392315, 743573, 744588 - TRANSMISSION, POTENTIOMETER, SWITCH, HI-LO
55.024.010		VAR - 759059 - TRANSMISSION, ELECTRONIC CONTROL UNIT, HI-LO, CAB
55.024.020		VAR - 759059 - TRANSMISSION, ELECTRONIC CONTROL UNIT, HI-LO, W/O CAB
55.024.050		VAR - 337323 - TRANSMISSION, HARNESS, HI-LO
55.031.010		VAR - 743551 - PARK BRAKE SWITCH
55.031.020		VAR - 759176 - HAND BRAKE, SWITCH, CAB
55.031.030		VAR - 759176 - HAND BRAKE, SWITCH, W/O CAB
55.035.010		REMOTE CONTROL VALVE, EDC, SOLENOID, COMPONENTS, DUAL COMMAND, CAB
55.040.010		VAR - 337323, 744580, 744581 - ELECTROHYDRAULIC ENGAGEMENT, SWITCH, 4WD, CAB
55.040.020		VAR - 337323, 744580, 744581 - ELECTROHYDRAULIC ENGAGEMENT, SWITCH, 4WD, W/O CAB
55.046.010		VAR - 333411, 390411 - ELECTROHYDRAULIC DIFFERENTIAL LOCK, ELECTRIC SYSTEM CONTROL, SWITCH, HI-LO

TABLE OF CONTENTS

55.048.070	VAR - 334278 - PTO, FENDER, CONTROLS, HI-LO, CAB
55.048.110	VAR - 337323 - PTO, CONTROLS, SOLENOID, HI-LO
55.100.020	VAR - 336852 - TRANSMISSION, POWERSHUTTLE, GROUND CABLE, HI-LO
55.100.050	VAR - 334183, 743573, 744588 - FUSE, RELAY, MAIN HARNESS, HI-LO, CAB
55.100.060	VAR - 334183, 743573, 744588 - FUSE, RELAY, HARNESS, ROOF-MOUNTED
55.100.080	VAR - 334190, 392315 - FUSE, RELAY, MAIN HARNESS, HI-LO, W/O CAB
55.100.100	VAR - 336839, 336841 - ENGINE, ELECTRIC CABLE, FUSE, RELAY, SUPPORT
55.100.130	HARNESS, EXTENSION, CAB
55.130.010	VAR - 390832, 758932 - 3 POINT HITCH, TOWING EQUIPMENT, SENSOR, DUAL COMMAND, CAB
55.130.020	VAR - 390832, 758932 - 3 POINT HITCH, TOWING EQUIPMENT, POTENTIOMETER, DUAL COMMAND, CAB
55.201.010	VAR - 336839, 336841 - STARTER MOTOR
55.201.020	VAR - 336839, 336841 - STARTER MOTOR, ALTERNATOR, HARNESS
55.201.040	VAR - 334190, 392315 - IGNITION SWITCH, W/O CAB
55.201.050	VAR - 334183, 334190, 392315, 743573, 744588 - IGNITION KEY
55.201.060	VAR - 334183, 334190, 392315, 743573, 744588 - IGNITION KEY
55.202.010	VAR - 336839, 336841 - GLOW PLUG, ELECTRONIC CONTROL UNIT
55.301.010	VAR - 391192 - ALTERNATOR (120A)
55.302.010	VAR - 336839, 336841 - BATTERY CABLES
55.302.030	VAR - 334991, 334992, 334994, 340639, 340690 - BATTERY (143A)
55.302.040	VAR - 334991, 334992, 334994, 340639, 340690 - BATTERY (143A)
55.404.070	VAR - 334183, 334190, 392315, 743573, 744588 - HEADLAMP
55.404.090	VAR - 743599 - REFLECTOR
55.404.095	VAR - 744599 - REFLECTOR
55.404.100	VAR - 334183, 743573, 744588 - INDICATOR LIGHT, FRONT, CAB
55.404.110	VAR - 334183, 743573, 744588 - WORK LIGHT, FRONT, CAB
55.404.120	VAR - 334183, 743573, 744588 - WORK LIGHT, REAR, CAB
55.404.130	VAR - 334991, 334992, 334994, 340639, 340690 - LIGHT, CONTROLS, SWITCH
55.404.140	VAR - 334190, 392315 - INDICATOR LIGHT, REAR, HI-LO, W/O CAB
55.404.150	VAR - 334190, 392315 - WORK LIGHT, REAR, W/O CAB
55.404.175	VAR - 334190, 392315 - INDICATOR LIGHT, FRONT, HI-LO, W/O CAB
55.404.220	VAR - 334190, 392315 - FLASHER UNIT, W/O CAB
55.405.070	VAR - 334183, 743573, 744588 - HAZARD LIGHT SWITCH, CAB
55.405.080	VAR - 334190, 392315 - HAZARD LIGHT SWITCH, W/O CAB

TABLE OF CONTENTS

55.405.100	VAR - 334190, 392315 - BRAKE, SWITCH, W/O CAB
55.405.110	VAR - 334190, 392315 - CORNER LIGHT, SWITCH, W/O CAB
55.405.130	VAR - 336858, 337323, 744580, 744581 - BRAKE, JUNCTION, 4WD
55.408.010	VAR - 334991, 334992, 334994, 340639, 340690 - HORN
55.408.030	VAR - 334183, 334190, 392315, 743573, 744588 - INSTRUMENT CLUSTER, HI-LO
55.415.010	VAR - 336780 - LOADER ARM, CABLE EXTENSION
55.415.030	VAR - 336734, 336736 - LOADER BUCKET, SOLENOID, W/ DIVERTER, W/ SELF-LEVELING
55.510.020	VAR - 334183, 743573, 744588 - MAIN HARNESS, HI-LO, CAB
55.510.040	VAR - 334183, 743573, 744588 - HARNESS, ROOF-MOUNTED
55.510.060	VAR - 334190, 392315 - MAIN HARNESS, HI-LO, W/O CAB
55.510.080	VAR - 334183, 743573, 744588 - MAIN HARNESS, MOUNTING PARTS, HI-LO, CAB
55.510.110	VAR - 334190, 392315 - MAIN HARNESS, MOUNTING PARTS, HI-LO, W/O CAB
55.510.120	VAR - 334991, 334992, 334994, 340639 - POWER SOCKET, (30A), CAB
55.510.130	VAR - 340639, 340690 - HARNESS, WIRE, SIGNAL, SOCKET, HI-LO, CAB
55.510.140	VAR - 340690 - POWER SOCKET, (40A), HI-LO, CAB
55.510.150	VAR - 334991 - POWER SOCKET, (30A), W/O CAB
55.510.160	VAR - 334183, 743573, 744588 - POWER SOCKET, 12V, (20A), CAB
55.510.170	VAR - 334190, 392315 - POWER SOCKET, 12V, (20A), W/O CAB
55.511.030	VAR - 334183, 334190, 392315, 743573, 744588 - HEADLAMP, HARNESS
55.512.010	VAR - 334992, 334994, 340639, 340690 - CIGARETTE LIGHTER, CAB
55.512.020	VAR - 334183, 743573, 744588 - CIGARETTE LIGHTER, CAB
55.512.030	VAR - 334190, 392315 - CIGARETTE LIGHTER, W/O CAB
55.512.040	VAR - 334183, 743573, 744588 - RADIO, SPEAKER, ANTENNA, CAB
55.512.050	VAR - 334183, 744588 - CIGARETTE LIGHTER, CAB
55.512.060	VAR - 334190 - CIGARETTE LIGHTER, W/O CAB
55.512.070	VAR - 336780, 338125 - MID MOUNT VALVE, JOYSTICK
55.512.090	VAR - 331850 - DRIVER SEAT, W/ AIR SUSPENSION, COMPONENTS, HARNESS, AIR COMPRESSOR, SWITCH
55.512.100	VAR - 332850 - DRIVER SEAT, W/ AIR SUSPENSION, W/ 15° SWIVEL, COMPONENTS, HARNESS, AIR COMPRESSOR, SWITCH, CAB
55.512.120	VAR - 331156 - SEAT SUSPENSION, MECHANICAL, COMPONENTS, VIBRATION, SENSOR, W/O CAB
55.512.130	VAR - 331850 - SEAT, W/ AIR SUSPENSION, COMPONENTS, VIBRATION, SENSOR, CAB
55.513.030	VAR - 334183, 334190, 392315, 743573, 744588 - SWITCH, HI-LO
55.513.050	VAR - 334183, 334190, 392315, 743573, 744588 - TRANSMISSION, CONTROLS, LEVER, HI-LO
55.514.010	VAR - 334183, 743573, 744588 - INTERIOR LIGHT, CAB

TABLE OF CONTENTS

55.514.020	VAR - 334183, 743573, 744588 - SWITCH, INTERIOR LIGHT, CAB
55.518.010	VAR - 743573 - WINDSHIELD WASHER RESERVOIR, HOSE, CAB
55.518.020	VAR - 743573 - WINDSHIELD WASHER RESERVOIR, CAB
55.518.030	VAR - 334183, 744588 - REAR WIPER SWITCH, CAB
55.518.040	VAR - 334183, 743573, 744588 - WINDSHIELD WIPER SWITCH, CAB
55.518.050	VAR - 334183, 743573, 744588 - WINDSHIELD WIPER, ARM, BLADE, MOTOR, W/O OPENABLE WINDSHIELD, CAB
55.518.060	VAR - 334183, 744588 - WINDSHIELD WASHER RESERVOIR, HOSE, DELUXE CAB
55.518.070	VAR - 334183, 744588 - WINDSHIELD WASHER RESERVOIR, DELUXE CAB
55.518.080	VAR - 334183, 744588 - WINDSHIELD WIPER, ARM, BLADE, MOTOR, DELUXE CAB
55.520.010	VAR - 334183, 743573, 744588 - MULTIFUNCTION SWITCH, CAB
55.520.020	VAR - 334190, 392315 - MULTIFUNCTION SWITCH, W/O CAB
55.522.010	VAR - 330276, 334176, 336852 - TRANSMISSION, POWERSHUTTLE, HI-LO, REAR, PTO, CONTROLS, SWITCH
55.522.060	VAR - 390831, 390832, 743595, 758931, 758932, 759058 - REAR PTO, CONTROLS, SWITCH, W/ TRAILER BRAKE VALVE, CAB
55.522.070	VAR - 390831, 743595, 758931, 759058 - REAR PTO, CONTROLS, SWITCH, W/ TRAILER BRAKE VALVE, W/O CAB
55.523.010	VAR - 332035, 334278 - HYDRAULIC LIFT, CONTROL PANEL, HI-LO, CONTROL PANEL, CAB
55.523.020	VAR - 332035, 334278 - HYDRAULIC LIFT, LIGHT, PANEL, HI-LO, CAB
55.523.030	VAR - 332035, 334278 - HITCH UP/DOWN SWITCH, HI-LO, LH, CAB
55.523.040	VAR - 332035, 334278 - HITCH UP/DOWN SWITCH, HI-LO, RH, CAB
55.523.080	VAR - 390832, 758932 - YDRAULIC LIFT, CONTROL DEVICE, DUAL COMMAND, CAB
55.525.010	VAR - 336839, 336841 - ENGINE RPM SELECTOR, CAB
55.525.020	VAR - 334183, 743573, 744588 - THROTTLE CONTROL, PEDAL, CAB
55.525.030	VAR - 334190, 392315 - THROTTLE CONTROL, PEDAL, W/O CAB
55.525.040	VAR - 336839, 336841 - ENGINE RPM SELECTOR, W/O CAB
55.525.050	VAR - 390831, 743595, 758931, 759058 - ACCELERATOR HAND CONTROL LINKAGE
55.525.060	VAR - 390832, 758932 -ACCELERATOR HAND CONTROL LINKAGE, DUAL COMMAND, CAB
55.542.010	VAR - 333411, 390411 - ELECTROHYDRAULIC DIFFERENTIAL LOCK, SWITCH, CAB
55.542.020	VAR - 333411, 390411 - ELECTROHYDRAULIC DIFFERENTIAL LOCK, SWITCH, W/O CAB
55.640.010	VAR - 336839, 336841 - FUSE BOX
55.640.020	VAR - 336839, 336841 - FUSE BOX, POWER UNIT, HARNESS
55.988.010	VAR - 743545 - EXHAUST SYSTEM, INJECTION PIPE
55.988.020	VAR - 336858, 337323, 744580, 744581 - EXHAUST PIPE, NH3 SENSOR
55.988.030	VAR - 336858, 337323, 744580, 744581 - EXHAUST PIPE, NOX SENSOR
55.988.040	VAR - 336858, 337323, 744580, 744581 - DEF/ADBLUE™ LINES, NOX SENSOR

TABLE OF CONTENTS

55.988.050	VAR - 336839, 336841 - EXHAUST SYSTEM, HEATER VALVE, MOUNTING
55.988.060	VAR - 336839, 336841 - FUEL TANK, MODULE, INSTALLATION
55.988.070	VAR - 336839, 336841 - FUEL TANK, MODULE, COMPONENTS
55.988.080	VAR - 336839, 336841 - EXHAUST SYSTEM, LEVEL, SENSOR
82.000.00	SECTION INDEX - FRONT LOADER AND BUCKET
82.100.010	VAR - 336732, 336734, 336736, 336914 - SIDE MEMBER, W/ FRONT LOADER
82.100.020	VAR - 336740, 336742, 336744, 336746 - SIDE MEMBER, W/ FRONT LOADER
82.100.030	VAR - 743593 - SIDE MEMBER, W/O FRONT LOADER
82.100.050	VAR - 336734, 336736 - LOADER ARM, ARM/LIFTING DEVICE, W/ DIVERTER, W/ SELF-LEVELING
82.100.060	VAR - 336734, 336736 - LOADER ARM, LOCKING DEVICE, LEVEL INDICATOR, W/ DIVERTER, W/ SELF-LEVELING
82.100.070	VAR - 336734, 336736 - LOADER ARM, W/ DIVERTER, PIN, W/ SELF-LEVELING
82.100.080	VAR - 336732, 336914 - LOADER ARM, ARM/LIFTING DEVICE, W/ DIVERTER, W/O SELF-LEVELING
82.100.090	VAR - 336732, 336914 - LOADER ARM, LOCKING DEVICE, LEVEL INDICATOR, W/ DIVERTER, W/O SELF-LEVELING
82.100.100	VAR - 336732, 336914 - LOADER ARM, PIN, W/ DIVERTER, W/O SELF-LEVELING
82.100.110	VAR - 336732, 336914 - LOADER ARM, ARM/LIFTING DEVICE, W/O DIVERTER, W/O SELF-LEVELING
82.100.120	VAR - 336732, 336914 - LOADER ARM, LOCKING DEVICE, LEVEL INDICATOR, W/O DIVERTER, W/O SELF-LEVELING
82.100.130	VAR - 336732, 336914 - LOADER ARM, PIN, W/O SELF-LEVELING, W/O DIVERTER, W/O SELF-LEVELING
82.100.140	VAR - 336734, 336736 - LOADER ARM, ARM/LIFTING DEVICE, W/O DIVERTER, W/ SELF-LEVELING
82.100.150	VAR - 336734, 336736 - LOADER ARM, LOCKING DEVICE, LEVEL INDICATOR, W/O DIVERTER, W/ SELF-LEVELING
82.100.160	VAR - 336734, 336736 - LOADER ARM, PIN, W/O DIVERTER, W/ SELF-LEVELING
82.100.170	VAR - 336740, 336742 - LOADER ARM, ARM/LIFTING DEVICE, W/O SELF-LEVELING
82.100.180	VAR - 336740, 336742 - LOADER ARM, LOCKING DEVICE, LEVEL INDICATOR, W/O SELF-LEVELING
82.100.190	VAR - 336740, 336742 - LOADER ARM, SUPPORT, W/O SELF-LEVELING, COMPONENTS
82.100.200	VAR - 336740, 336742 - LOADER ARM, W/O SELF-LEVELING
82.100.210	VAR - 336744, 336746 - LOADER ARM, ARM/LIFTING DEVICE, W/SELF-LEVELING
82.100.220	VAR - 336744, 336746 - LOADER ARM, LOCKING DEVICE, LEVEL INDICATOR, W/ SELF-LEVELING
82.100.230	VAR - 336744, 336746 - LOADER ARM, SUPPORT, W/ SELF-LEVELING, COMPONENTS
82.100.240	VAR - 336744, 336746 - LOADER ARM, PIN, W/ SELF-LEVELING
82.100.250	VAR - 336740, 336742 - LOADER ARM, ARM/LIFTING DEVICE, W/ DIVERTER, W/ SELF-LEVELING
82.100.260	VAR - 336740, 336742 - LOADER ARM, LOCKING DEVICE, LEVEL INDICATOR, W/ DIVERTER, W/ SELF-LEVELING
82.100.270	VAR - 336740, 336742 - LOADER ARM, SUPPORT, W/O SELF-LEVELING, COMPONENTS
82.100.280	VAR - 336740, 336742 - LOADER ARM, W/ DIVERTER, PIN, W/ SELF-LEVELING

**Thanks very much for your reading,
Want to get more information,
Please click here, Then get the complete
manual**

JustClickHere 

NOTE:

**If there is no response to click on the link above,
please download the PDF document first, and then
click on it.**

**Have any questions please write to me:
admin@servicemanualperfect.com**